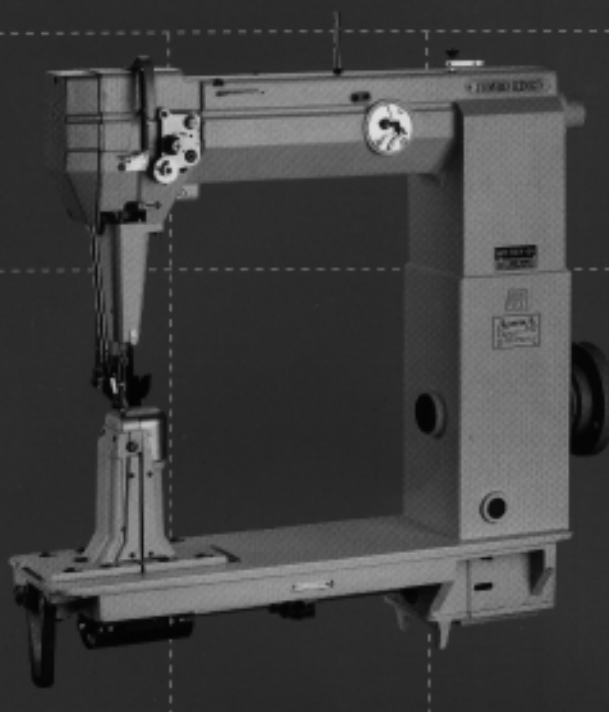


## WA-961-DN

Extra Long Single Needle Roller Padded Sewing Machine

加長型單針滾輪送羅拉車



已申請多國專利中仿冒必究

### 特點 / FEATURES

雙滾輪式針送利於操作上下皮料合稱水平針距穩固,維持穩定,爬坡力強。  
 採用齒輪送及針送式輪縫,押脚,爬坡時仍能保持一定之縫目。  
 針車海綿,薄皮之物,力保平滑均勻,不起皺,不曲形。  
 新型針柱座,加固定座,在縫紉時較穩定,減少斷針及斷線,並可縫紉較整齊美觀的線路。  
 特殊加長型機臂(最長可達350mm)。

Double wheel and needle feed smooth sewing operation of upper and lower leather constant working ability.

The combined action of wheel and needle ensures constant stitches in both thick and thin sewing operation.

When spongy material is sewn, it will not transform; instead, it shall be sewn very smoothly and neatly.

Needle clamp with an extra setting plate, let sewn are stably.

Several leather are sewn together & ensures less discrepancy in stitching.

Extra long machine arm and the longest can up to 350mm.

### 用途及規格 / USAGE AND SPECIFICATIONS

用於: 馬靴、運動鞋、工作鞋、休閒鞋、家具皮套、海綿鞋、嬰兒鞋、高級皮鞋類縫。  
 Ideal for boots sport shoes, work shoes, leisure shoes, foam rubber sole pads, babies shoes and high quality leather shoes.

最高縫速: 每分鐘2,000針

最大縫目: 4.0mm

針: DPX5

壓脚提升量: 15.0mm

Max. Sewing Speed: 2,000 S. P. M.

Max. Stitch Length: 4.0mm

Needle System: DPX5

Lift Distance of Presser Foot: 15.0mm

### 特點 / FEATURES

雙滾輪式針送利於操作上下皮料合稱水平針距穩固,維持穩定,爬坡力強。  
 採用齒輪送及針送式輪縫,押脚,爬坡時仍能保持一定之縫目。  
 針車海綿,薄皮之物,力保平滑均勻,不起皺,不曲形。  
 新型針柱座,加固定座,在縫紉時較穩定,減少斷針及斷線,並可縫紉較整齊美觀的線路。  
 特殊加長型機臂(最長可達350mm)。

Double wheel and needle feed smooth sewing operation of upper and lower leather constant working ability.

The combined action of wheel and needle ensures constant stitches in both thick and thin sewing operation.

When spongy material is sewn, it will not transform; instead, it shall be sewn very smoothly and neatly.

Needle clamp with an extra setting plate, let sewn are stably.

Several leather are sewn together & ensures less discrepancy in stitching.

Extra long machine arm and the longest can up to 350mm.

### 用途及規格 / USAGE AND SPECIFICATIONS

用於: 馬靴、運動鞋、工作鞋、休閒鞋、機車鞋、家具皮套、海綿鞋、嬰兒鞋、高級皮鞋類縫製。  
 Ideal for boots sport shoes, work shoes, leisure shoes, foam rubber sole pads, babies shoes and high quality leather shoes.

最高縫速: 每分鐘2,500針

最大縫目: 7.0mm

針: DPX5

壓脚提升量: 15.0mm

Max. Sewing Speed: 2,500 S. P. M.

Max. Stitch Length: 7.0mm

Needle System: DPX5

Lift Distance of Presser Foot: 15.0mm

## WA-961-DR

Extra Long Single Needle Roller Padded Sewing Machine

加長型單針滾輪送羅拉車

