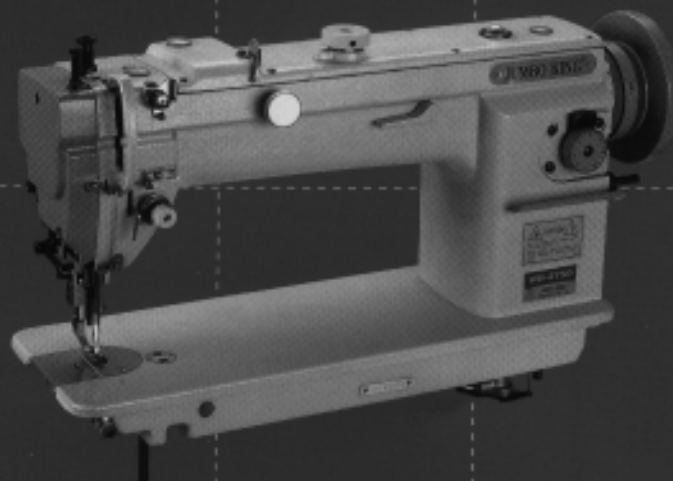


## WA-3750

Singer-Needle, Upper & Lower Feet, Fastest Sewing Machine  
WITH PRESSER FOOT FEED. (WITH LARGE HOOK)  
單針壓腳上下送平車 (附雙倍之大釜)



### 特點 / FEATURES

- 全自動給油。
- 具備雙押腳,與狗齒交互上下送料,可防止縫製品上下料子的不對稱和變形,爬坡力強,不會傷皮革表面。
- 採用雙倍之大釜及雙倍梭仔,減少換底線的麻煩及故障率,提高了工作效率。
- 自動倒縫功能,可提高縫製效率。
- 縫日設定精確,大小可自由調整。

Automatic Lubrication.  
Walking foot & feed dog make uniform: to avoid unbalance and transformation.  
With large hook & bobbin has a twice larger capacity which can reduce problem of changing base thread and increase efficiency.  
With automatic back tacking. Could increase the sewing efficiency.  
Optional setting of number of stitches, adjustable for large and small stitching.

### 用途及規格 / USAGE AND SPECIFICATIONS

- |                                        |                                                                                                                   |
|----------------------------------------|-------------------------------------------------------------------------------------------------------------------|
| 用於: 鞋、手套、皮包、帳篷、坐墊、皮衣、椅套...等料物及皮革製品的縫製。 | Suitable for heavy material, such as shoes, gloves, bags, tents car seat, cushions, garments, sofa, canvas etc... |
| 最高縫速: 每分鐘3,500針                        | Max. Sewing Speed: 3,500 S. P. M.                                                                                 |
| 最大縫日: 8.0mm                            | Max. Stitch Length: 8.0mm                                                                                         |
| 押具揚程: 16.0mm                           | High of Presser Foot: 16.0mm                                                                                      |
| 針: DPX17                               | Needle: DPX17                                                                                                     |

### 特點 / FEATURES

- 全自動給油。
- 自動切線功能,採用獨立的電磁閥。
- 具備雙押腳,與狗齒交互上下送料,可防止縫製品上下料子的不對稱和變形,爬坡力強,不會傷皮革表面。
- 採用雙倍之大釜及雙倍梭仔,減少換底線的麻煩及故障率,提高了工作效率。
- 採用自動切線與自動倒縫功能,可提高縫製效率。
- 縫日設定精確,大小可自由調整。

Automatic Lubrication.  
With under trimming. Controlled by an independent solenoid.  
Walking foot & feed dog make uniform: to avoid unbalance and transformation.  
With large hook & bobbin has a twice larger capacity which can reduce problem of changing base thread and increase efficiency.  
With automatic under trimming, & automatic back tacking. Could increase the sewing efficiency.  
Optional setting of number of stitches, adjustable for large and small stitching.

### 用途及規格 / USAGE AND SPECIFICATIONS

- |                                        |                                                                                                                  |
|----------------------------------------|------------------------------------------------------------------------------------------------------------------|
| 用於: 鞋、手套、皮包、帳篷、坐墊、皮衣、椅套...等料物及皮革製品的縫製。 | Suitable for heavy material, such as shoes, gloves, bag, tents car seat, cushions, garments, sofa, canvas etc... |
| 最高縫速: 每分鐘3,500針                        | Max. Sewing Speed: 3,500 S. P. M.                                                                                |
| 最大縫日: 8.0mm                            | Max. Stitch Length: 8.0mm                                                                                        |
| 押具揚程: 16.0mm                           | High of Presser Foot: 16.0mm                                                                                     |
| 針: DPX17                               | Needle: DPX17                                                                                                    |

## WA-3750-T

Singer-Needle, Upper & Lower Feet, Fastest Sewing Machine  
WITH PRESSER FOOT FEED  
(AUTOMATIC UNDER TRIMMING & AUTO BACK TACKING WITH LARGE HOOK)  
單針壓腳上下送平車  
附自動切線及自動倒縫及大釜

