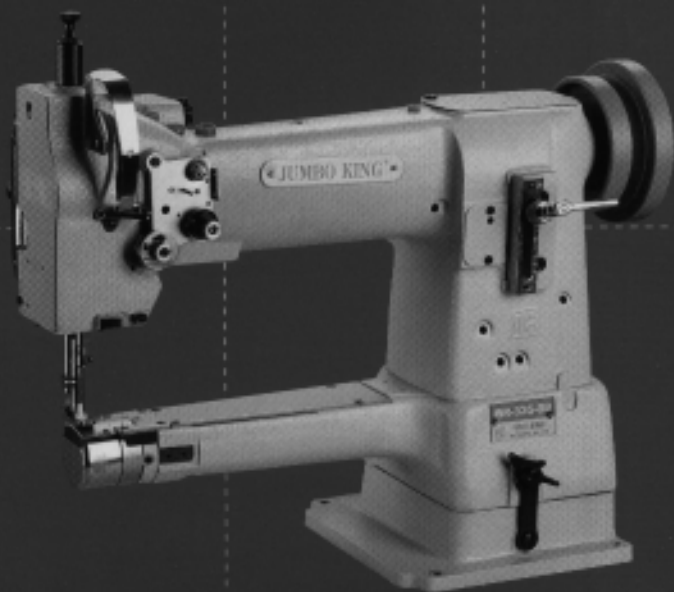


WA-335-88

Single Needle Cylinder Bed Sewing Machine
WITH UNISON FEED
單針總合送筒型車



TW專利權號碼：新製第 175071
CN專利權號碼：ZL 00 2 46439. X

特點 / FEATURES

操作簡便，並提高性能及耐久性。新改良，其設計及構造容易維修及保養。
總合式送料押腳送、針送、狗齒送，不拘材料表面之平滑或粗糙不平整，縫紉時皆很穩定。
當幾層皮料加在一起縫製時，內層也不會移動。
新型針柱座，加一固定座，在縫製時比較穩定，減少斷針及斷線，並可縫製較整齊美觀的線路。
總合式送料：針送、狗齒送、押腳送料，可輕易地車縫多層之原物料。
圓筒直徑46mm。

Simplify the maintenance, increase the sewing efficiency & durability. New improve derive & increase the strength.
The machines are walking foot, needle feed and feed dog, with 3 transport position. No matter the material's surface is either smooth or rough. It can sew steadily.
The inner layer won't move, even several leathers are sewed together.
The needle clamp with an extra setting plate let you sew anything stably, several leather are sewn together and ensures less discrepancy in stitching.
Walker foot, feed dog & needle feed action complete with unison feed.
Easily to stitching heavy materials.
Diameter for cylinder-bed is 46mm.

用途及規格 / USAGE AND SPECIFICATIONS

用於：小圓筒式物品，如：鞋類、玩具、皮包類、袋類、小型物品等等。
最高縫速：每分鐘2,000針
最大縫目：5.5mm
針：DPX17

It is developed for hemming shoes, purse, belt for sewing bag, sofa and for shaping sport apparatus.
Max. Sewing Speed: 2,000 S. P. M.
Max. Stitch Length: 5.5mm
Needle System: DPX17

TW專利權號碼：新製第 175071
CN專利權號碼：ZL 00 2 46439. X

特點 / FEATURES

為小圓筒型之特殊設計，直徑為39mm。
特別針對小型至大型管狀物之旋轉車縫設計，車縫順手無阻礙。
總合式送料押腳送、針送、狗齒送，不拘材料表面之平滑或粗糙不平整，縫紉時皆很穩定。
當幾層皮料加在一起縫時，內層也不會移動。
新型針柱座專利，針棒加左右邊固定，在縫製時比較穩定，減少斷針及斷線，並可縫製較整齊美觀的線路。
總合式送料：針送、狗齒送、押腳送料，可輕易地車縫多層之原物料。

Diameter of cylinder bed is 39mm which easy and unhindered movement of tubular goods bulky of small goods.
The machines are walking foot, needle feed and feed dog, with 3 transport position. No matter the material's surface is either smooth or rough. It can sew steadily.
The inner layer won't move, even several leathers are sewed together.
The needle clamp with an extra setting plate let you sew anything stably, several leather are sewn together and ensures less discrepancy in stitching.
Walker foot, feed dog & needle feed action complete with unison feed.
Easily to stitching heavy materials.

用途及規格 / USAGE AND SPECIFICATIONS

用於：小圓筒式物品，如：鞋類、玩具、皮包類、袋類、小型物品等等。
最高縫速：每分鐘2,000針
最大縫目：5.5mm
針：MTX190

It is developed for hemming shoes, purse, belt for sewing bag, sofa and for shaping sport apparatus.
Max. Sewing Speed: 2,000 S. P. M.
Max. Stitch Length: 5.5mm
Needle System: MTX190

WA-335-88-L

Single Needle Cylinder Bed Sewing Machine
WITH UNISON FEED (SMALL CYLINDER BED)
單針小圓筒總合送

