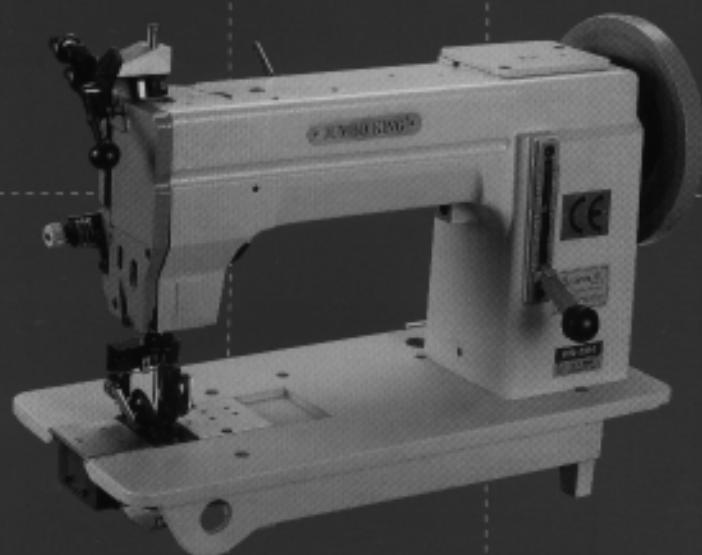


WA-204

Double-Needle Mokka Sewing Machine
雙針磨卡車



特點 / FEATURES

- 輪盤前後左右調整。
- 針筒可任意調整針位5mm至7.5mm針距,來車縫紉物品。
- 大盤可調整前後移動,可延長針的壽命。
- 大盤半週擺動。
- 選用輪盤或平押腳,來車縫紉物品。
- 選用一般磨卡車縫。

Available to adjust the hand wheel by the directions of front, back, left and right.
The position of the needle is adjustable about 5mm to 7.5mm to sew the article.
Available to adjust large hook in the directions of front and back, the directions of front and back, which can prolong the life of the needle.
Large hook swings in a direction of semi-revolving.
Select a hand wheel or a hinged presser foot to sew the stuff.
Select a general Mokka Sewing.

用途及規格 / USAGE AND SPECIFICATIONS

- | | |
|----------------------------|--|
| 用於：鞋類、皮包類、皮革製品...等
之物品。 | Shoes, purses, leather products, And
so on. |
| 最高縫速：800針/分鐘 | Max. Sewing Speed: 800 needles/
minutes |
| 壓脚提升量：10.0mm | Life Distance of Presser Foot: 10.0mm |
| 針棒衝程：50.0mm | Needle Bar Stroke: 50.0mm |
| 最大縫日：8.0mm | Max. Sewing Distance: 8.0mm |
| 針：DDX1 | Needle: DDX1 |

TW專利權號碼：新型第 M258998
CN專利權號碼：ZL 2004 2 0066355. 2

特點 / FEATURES

- 輪盤前後左右調整。
- 大盤可調整前後移動,可延長針的壽命。
- 大盤半週擺動。
- 選用輪盤或平押腳,來車縫紉物品。
- 選用一般磨卡車縫。

Available to adjust the hand wheel by the directions of front, back, left and right.
Available to adjust large hook in the directions of front and back, the directions of front and back, which can prolong the life of the needle.
Large hook swings in a direction of semi-revolving.
Select a hand wheel or a hinged presser foot to sew the stuff.
Select a general Mokka Sewing.

用途及規格 / USAGE AND SPECIFICATIONS

- | | |
|----------------------------|--|
| 用於：鞋類、皮包類、皮革製品...等
之物品。 | Shoes, purses, leather products, And
so on. |
| 最高縫速：800針/分鐘 | Max. Sewing Speed: 800 needles/minutes |
| 壓脚提升量：10.0mm | Life Distance of Presser Foot: 10.0mm |
| 針棒衝程：50.0mm | Needle Bar Stroke: 50.0mm |
| 最大縫日：8.0mm | Max. Sewing Distance: 8.0mm |
| 針：DDX1 | Needle: DDX1 |

WA-204-999

Double-Needle Mokka Sewing Machine
S/M(MULTI-CAM SYSTEM)
雙針磨卡車(多種花盤車)

